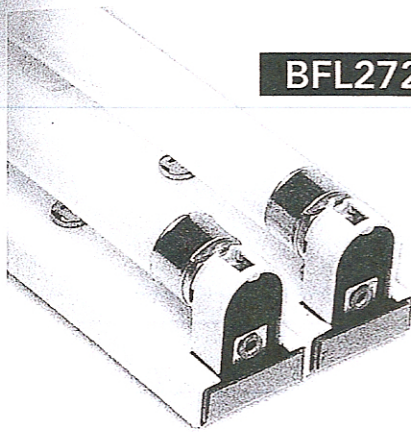


type :

BFL272



LINEAR T5 FLUORESCENT

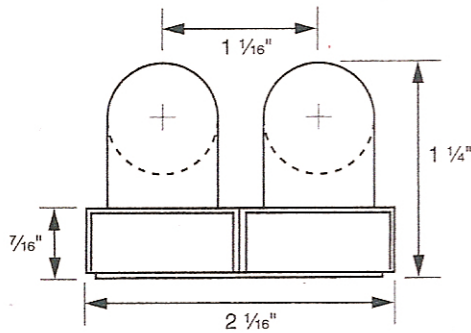
low profile linear T5 fluorescent two lamp architectural fixture for remote ballast installations

SPECIFICATIONS

- ▶ Fully assembled housing is formed, 20 ga. steel, chemically treated to resist corrosion and enhance paint adhesion
- ▶ Standard finish is high reflectance white powder coat, applied post production
- ▶ Rotational locking lamp holders
- ▶ Installed end feed connector accepts 3/8" steel flex conduit (available separately)
- ▶ Wired with 12' leads for instant start ballast operation
- ▶ Easy mounting through provided holes in housing
- ▶ Available for two T5 6W, 8W, 13W, 14W, 21W, 28W, 35W and high output 24W, 39W, 54W, 80W linear fluorescent lamps
- ▶ UL and C-UL listed for dry and damp locations
- ▶ Requires a remote ballast and enclosure (ordered separately)



architectural LIGHTING



PLAN VIEW



SPECIFICATION/ORDER FORMAT

DIMENSION INFORMATION

catalog no.	options	lamp	O.A. length
BFL272-6	/RS - rapid start wiring	6w T5	10 3/8"
BFL272-8	/C2 - end feed	8w T5	13 3/8"
BFL272-13	/DL - damp location	13w T5	22 7/16"
BFL272-14	/CU - custom finish	14w T5	23 11/16"
BFL272-21	(consult factory)	21w T5	35 1/2"
BFL272-28		28w T5	47 1/4"
BFL272-35		35w T5	59 1/8"
BFL272-24		24w T5 HO	23 11/16"
BFL272-39		39w T5 HO	35 1/2"
BFL272-54		54w T5 HO	47 1/4"
BFL272-80		80w T5 HO	59 1/8"



A-9

2003 / Volume 1



tel 714.848.0892 fax 714.848.6843

bartcoLIGHTING.com

products subject to change without notice.